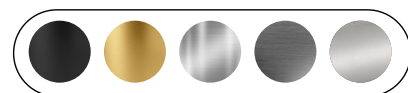




SHATTAF
SF 36245



Specifications

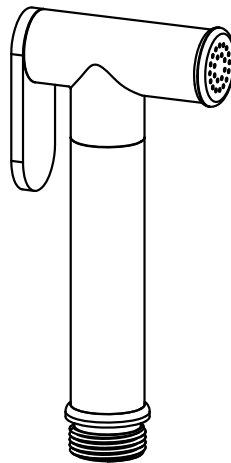
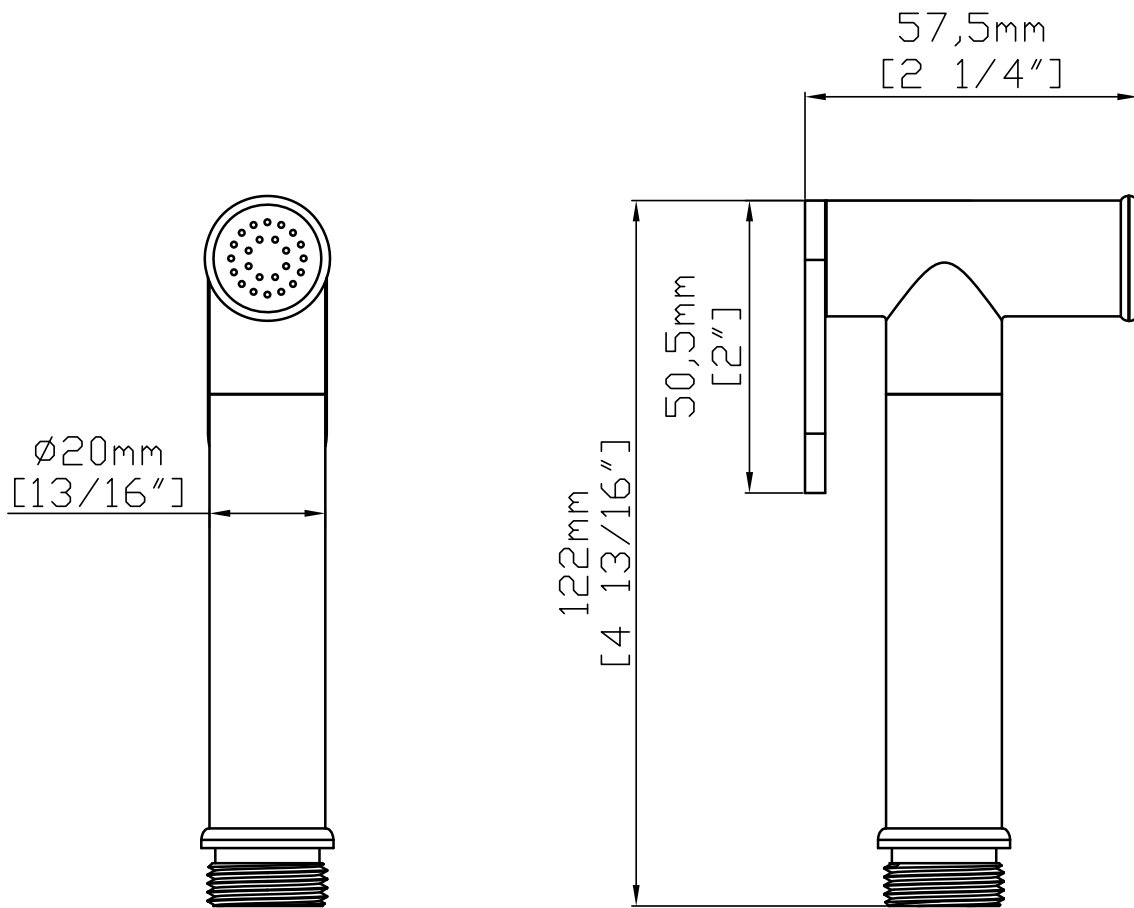
BRAND	BELLA
RANGE	PREMIUM
PRODUCT CODE	SF 36245
PRODUCT TYPE	SHATTAF WITH HOSE & HOOK
COLOR/FINISH	BLACK, BRUSHED GOLD, CHROME, GUN METAL, BRUSH NICKEL
MATERIAL	BRASS

*All dimensions are in mm

TECHNICAL DATA-SHEET

Drawing

Scale Unit: mm



*All dimensions are in mm